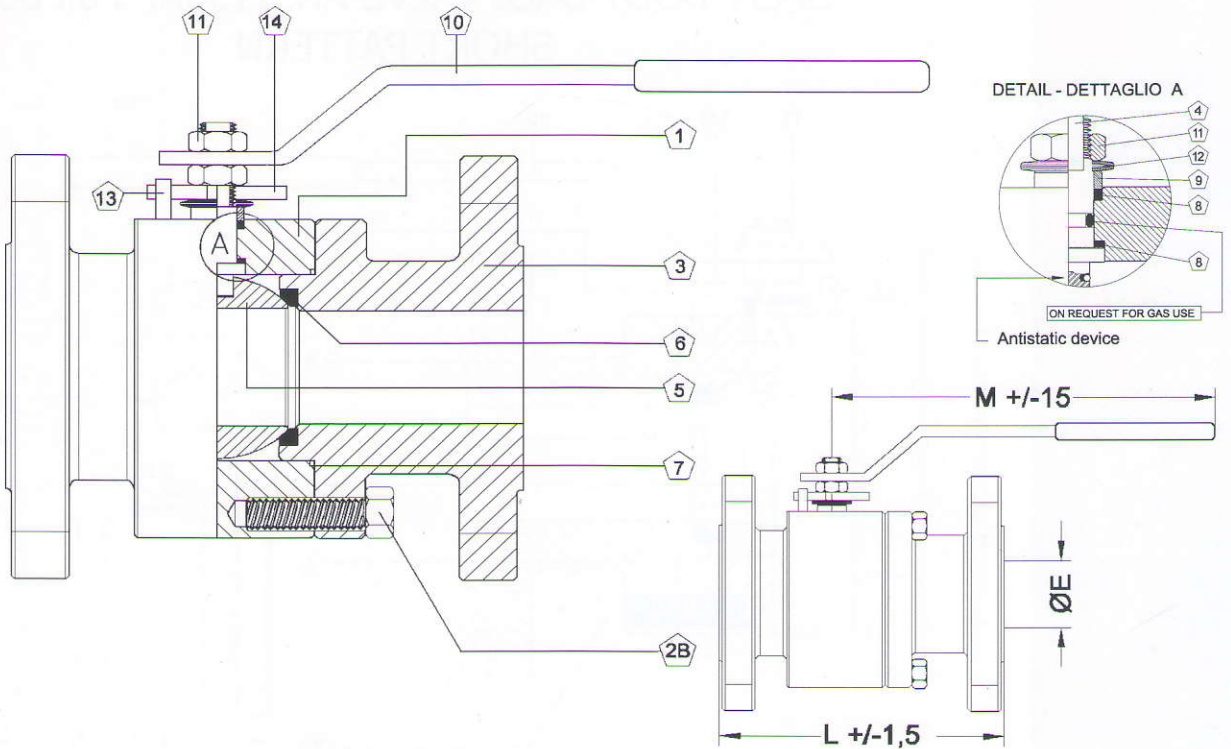


CVL60

VALVOLA a SFERA tipo SPLIT BODY PN16 Pass.Totale SPLIT BODY BALL VALVE PN16 Full Bore



14	Stop Plate	Zinc Plated Carbon Steel		
13	Stop Pin	Zinc Plated Carbon Steel		
12	Socket Springs	Zinc Plated Carbon Steel		
11	Lever and Gland Nut	Zinc Plated Carbon Steel		
10	Hand Lever	Zinc Plated Carbon Steel		
9	Gland	Stainless steel		
8	Stem Seals	RPTFE		
7	Body Gasket	RPTFE		
6	Seat	PTFE / RPTFE		
5	Ball	AISI304	AISI304	SS. F 316
4	Stem	F304	F304	SS. F 316
3	Lateral	ASTM A 105	LF2	SS. F 316
* 2B	Bolt	8.8 ZINC	L7	8.8 ZINC
1	Body	ASTM A 105	LF2	SS. F 316
N°	PART NAME	MATERIAL		

* On request: B7, B8M

DIMENSIONS TABLE - TABELLA DIMENSIONALE											
DN	15	20	25	32	40	50	65	80	100	125	150
NPS	1/2"	3/4"	1"	1"1/4	1"1/2	2"	2"1/2	3"	4"	5"	6"
Ø E	14	19	25	32	38	48	65	76	95	119	145
L	115	120	125	130	140	150	170	180	190	325	350
M	145	185	185	270	270	270	355	355	460	460	460
SCARTAMENTO DIN 3202 F4										SCART. F5	

F. to F. DIN 3202 F4

F. to F. F5

