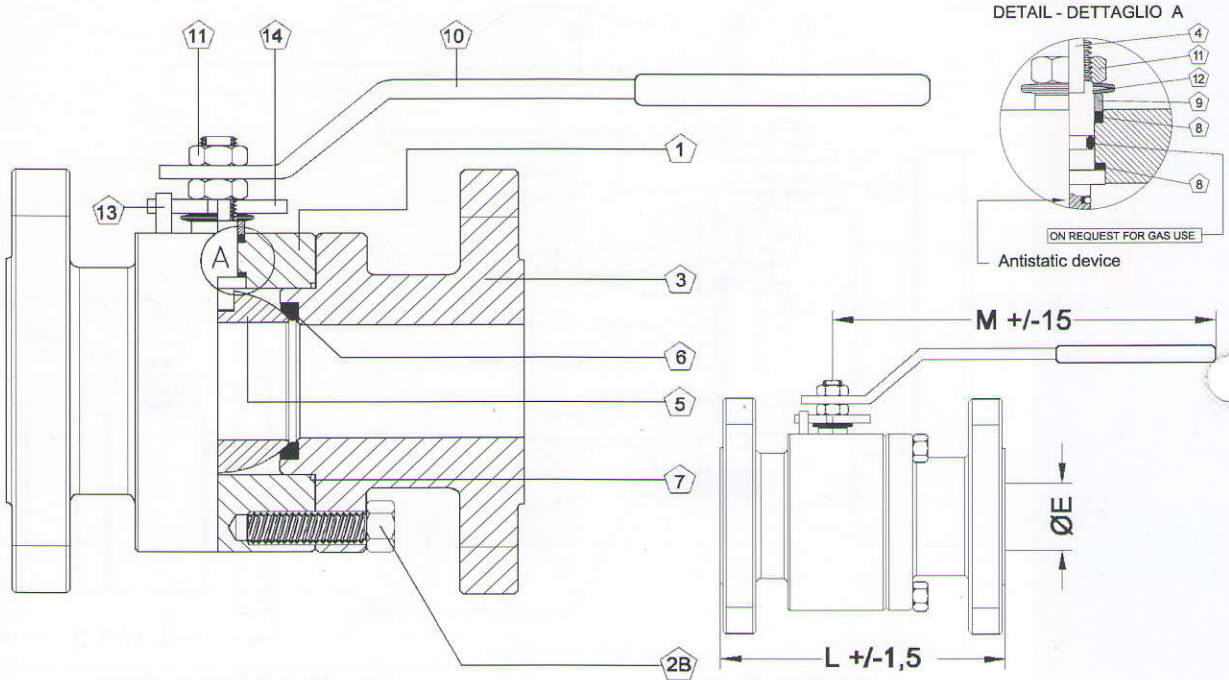


CVL70

VALVOLA a SFERA tipo SPLIT BODY ANSI600RF Pass.Totale
SPLIT BODY BALL VALVE ANSI600RF Full Bore



14	Stop Plate	Zinc Plated Carbon Steel		
13	Stop Pin	Zinc Plated Carbon Steel		
12	Socket Springs	Zinc Plated Carbon Steel		
11	Lever and Gland Nut	Zinc Plated Carbon Steel		
10	Hand Lever	Zinc Plated Carbon Steel		
9	Gland	Stainless steel		
8	Stem Seals	RPTFE		
7	Body Gasket	RPTFE		
6	Seat	RPTFE/DELRIN**		
5	Ball	AISI304	AISI304	SS. F 316
4	Stem	F304	F304	SS. F 316
3	Lateral	ASTM A 105	LF2	SS. F 316
* 2B	Bolt	8.8 ZINC	L7	8.8 ZINC
1	Body	ASTM A 105	LF2	SS. F 316
N°	PART NAME	MATERIAL		

* On request: B7, B8M

**RPTFE up to 1"1/2 - F.B. / 2" - R.B.

DIMENSIONS TABLE - TABELLA DIMENSIONALE

DN	15	20	25	32	40	50	65	80	100
NPS	1/2"	3/4"	1"	1"1/4	1"1/2	2"	2"1/2	3"	4"
Ø E	14	19	25	32	38	48	65	76	95
L	165	190	216	228,5	241,5	292	330	355,5	432
M	145	185	185	270	270	270	355	355	460

