

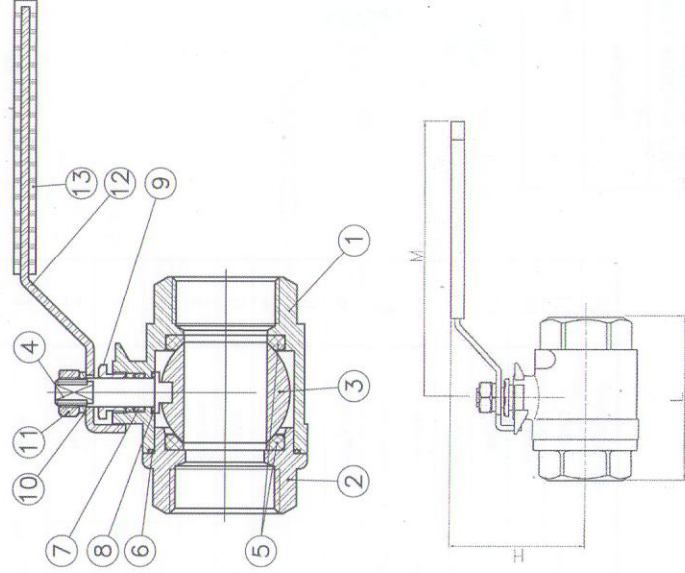
CVL120

VALVOLA A SFERA MONOBLOCCO BALL VALVE 2 PIECE BODY



FEATURES

1. Ball valve 2 pieces, full bore.
2. Stainless Steel din 1.4408 (ASTM A351 CF8M), investment casting.
3. Gas or NPT Thread female
4. Ball seats PTFE
5. Stem seal PTFE
6. PN-63 body
7. Locking Device



N°	Name	Material
1	Body	DIN 1.4408 (CF8M), S.S. 316
2	Cap	DIN 1.4408 (CF8M), S.S. 316
3	Ball	DIN 1.4408 (CF8M), S.S. 316
4	Stem	DIN 1.4401 (S.S. 316)
5	Ball seats	PTFE
6	Gasket	PTFE
7	Trust Washer	PTFE
8	Friction ring	PTFE
9	Stem Packing	DIN 1.4301 (S.S. 304)
10	Spring washer	DIN 1.4301 (S.S. 304)
11	Nut	DIN 1.4301 (S.S. 304)
12	Handle	DIN 1.4301 (S.S. 304)
13	Sleeve	VINYL

Size	PN	DIMENSIONS		
		H	M	L
1/4"	63	50	104	50
3/8"	63	50	104	50
1/2"	63	51,5	104	55
3/4"	63	62	122	70
1"	63	65	122	83
1 1/4"	63	82	180	91
1 1/2"	63	88	180	103
2"	63	106	219	120
2 1/2"	63	119	230	152
3"	63	135	275	172

Bore	DIMENSIONS		
	H	M	L
11	50	104	50
12,7	50	104	50
15	51,5	104	55
20,6	62	122	70
25,4	65	122	83
31,8	82	180	91
38,1	88	180	103
50,8	106	219	120
65	119	230	152
80	135	275	172

