

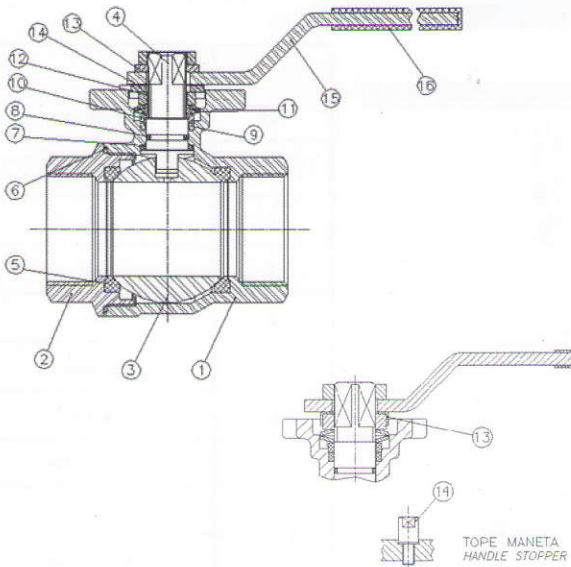
CVL120

VALVOLA A SFERA MONOBLOCCO con fori ISO BALL VALVE 2 PIECE BODY with ISO 5211



FEATURES

1. Ball valve 2 pieces, full bore.
2. Stainless Steel DIN 1.4408 (ASTM A351 CF8M), Investment
3. Gas Thread DIN 259.
4. Ball seats PTFE+15% GF
5. Stem seal PTFE+15%Graphite
6. PN-63 body
7. Flange actuator attachment ISO 5211 (direct mounting)



Nº	Name	Material
1	Body	DIN 1.4408 (CF8M), SS 316
2	Cap	DIN 1.4408 (CF8M), SS 316
3	Ball	DIN 1.4408 (CF8M), SS 316
4	Stem	DIN 1.4401 (S.S. 316)
5	Ball seats	PTFE+15% GF
6	Gasket	PTFE+15% GF
7	Trust Washer	PTFE+15%Graphite
8	O-ring	VITON
9	Stem Packing	PTFE
10	Stem Ring	DIN 1.4401 (S.S. 316)
11	Washer	Steel (Zinc Plated)
12	Nut	DIN 1.4401 (S.S. 316)
13	Ring	DIN 1.4301 (S.S. 304)
14	Stopper	DIN 1.4301 (S.S. 304)
15	Handle	DIN 1.4301 (S.S. 304)
16	Handle Sleeve	VINYL

FOR 2" 1/2-3" SIZES ONLY

Nº	Name	Material
13	Lock Washer	DIN 1.4301(AISI 304)
14	Stopper	DIN 1.4301(AISI 304)

Size	PN	DIMENSIONS			ISO 5211
		A	M	L	
1/4"	63	62	112	50	F03
3/8"	63	62	112	50	F03
1/2"	63	63	112	55	F04
3/4"	63	70	138	70,5	F04/F05
1"	63	70	138	83	F04/F05
1 1/4"	63	88	160	91	F05/F07
1 1/2"	63	94	205	103	F05/F07
2"	63	100	205	120	F05/F07

